



Filtration system for water optimisation

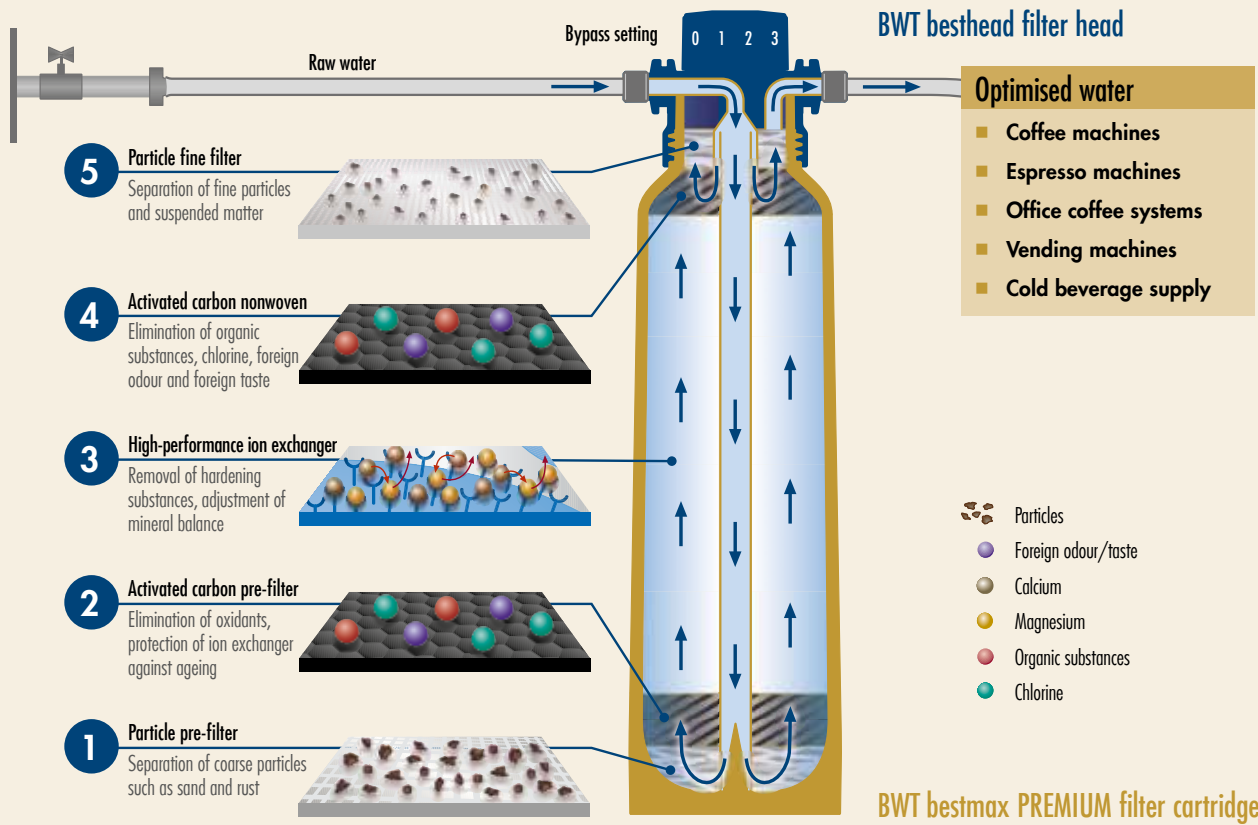


Gourmet water for catering and vending machines

BWT bestmax PREMIUM is a filter system with which you can refine raw water to produce gourmet water that is outstandingly suited to making hot beverages such as coffee, espresso and tea. The modular multi-stage filter uses patented BWT Magnesium Technology, which also mineralises the filtrate with magnesium. This flavour carrier guarantees high sensory quality in both the water and the products made from it.

The filter system consists of a filter cartridge with a BWT besthead filter head (see graphic) that is screwed on. The blend partial flow (0–3) is set on the filter head depending on the water hardness and requirement. Check valves in the filter head prevent backflow and uncontrolled water discharge. BWT bestmax PREMIUM food-safe filter systems are pressure-resistant and safe. They can be used worldwide in any drinking water system.

NSF – Tested and Certified by NSF International against NSF/ANSI Standard 42 for the reduction of chlorine, taste and odor.



Dimensions and Weights

BWT bestmax PREMIUM		S	V	M	XL	2XL
Total height without wall mounting bracket (A)	mm	350 – 360	410 – 420	465 – 475	490 – 500	570 – 580
	(Inch)	(13.78-14.18)	(16.15 – 16.54)	(18.31 – 18.71)	(19.30 – 19.69)	(22.44 – 22.83)
	(Inch)	(13 3/4 – 14 3/16)	(16 1/8 – 16 9/16)	(18 5/16 – 18 11/16)	(19 5/16 – 19 11/16)	(22 7/16 – 22 13/16)
Total height with wall mounting bracket (B)	mm	385	445	500	530	600
	(Inch)	(15.16)	(17.52)	(19.69)	(20.87)	(23.62)
	(Inch)	(15 3/16)	(17 1/2)	(19 11/16)	(20 7/8)	(23 5/8)
Height to centre of connection (C)	mm	310	366	425	450	520
	(Inch)	(12.21)	(14.41)	(16.73)	(17.72)	(20.47)
	(Inch)	(12 3/16)	(14 7/16)	(16 3/4)	(17 11/16)	(20 7/16)
Distance required for service (D)	mm	65	65	65	65	65
	(Inch)	(2.56)	(2.56)	(2.56)	(2.56)	(2.56)
	(Inch)	(2 9/16)	(2 9/16)	(2 9/16)	(2 9/16)	(2 9/16)
Installation length (E)	mm	125	125	125	125	125
	(Inch)	(4.93)	(4.93)	(4.93)	(4.93)	(4.93)
	(Inch)	(4 15/16)	(4 15/16)	(4 15/16)	(4 15/16)	(4 15/16)
Filter cartridge Ø (F)	mm	88	110	130	145	185
	(Inch)	(3.47)	(4.34)	(5.12)	(5.71)	(7.28)
	(Inch)	(3 7/16)	(3 7/16)	(5 1/8)	(5 11/16)	(7 1/4)
Filter cartridge weight, cartridge dry appr.	kg	0.9	2.1	2.4	3.8	7.5
	(lb)	(1.99)	(4.63)	(5.30)	(8.38)	(16.53)
	(lb)	(2)	(4 5/8)	(5 5/16)	(8 3/8)	(8 1/2)
Filter cartridge weight, wet appr.	kg	1.5	3.2	4.2	6.0	11.0
	(lb)	(3.31)	(7.06)	(9.26)	(13.23)	(24.25)
	(lb)	(3 5/16)	(7 1/16)	(9 1/4)	(13 1/4)	(13 1/4)

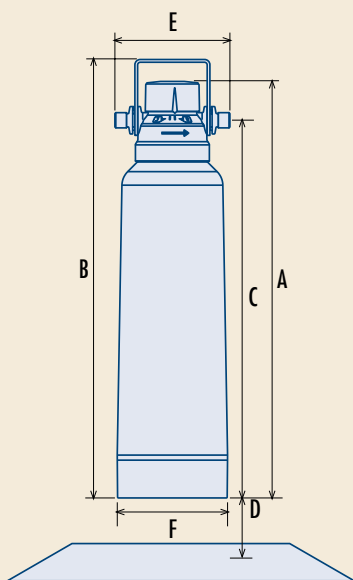
Order Numbers

Order numbers	S	V	M	XL	2XL
Filter cartridge	FS22P00A00	FS23P00A00	FS24P00A00	FS28P00A00	FS30P00A00
Filter head ST 3/8"			FS00Y90A00		
Filter head PA 3/8"			FS00Y96A00		
Filter head PA 8 mm			FS00Y95A00		

Technical Data

Operation Conditions		S	V	M	XL	2XL
Connection thread (intake/outlet)						3/8" (BSP male)
Nominal flow	L/d (US gal/d)					720 (2.725)
	L/min (US gal/min)					0.5 (1.9)
Working pressure range	bar (psi)					2 – 8 (29 – 116)
Intake water pressure	bar (psi)					>1,2 (>17.4)
Pressure loss at 30 L/h (8 US gallons/h) ⁽¹⁾	bar (psi)	0.10 (1.5)	0.10 (1.5)	0.7 (0.05)	0.10 (1.5)	0.20 (1.9)
Pressure loss at 60 L/h (16 US gallons/h) ⁽¹⁾	bar (psi)	0.15 (2.2)	0.15 (2.2)	0.20 (2.9)	0.15 (2.2)	0.30 (4.4)
Pressure loss at 180 L/h (42 US gallons/h) ⁽¹⁾	bar (psi)	0.60 (8.7)	0.60 (8.7)	0.50 (7.3)	0.50 (7.3)	0.60 (8.7)
Water temperature, min-max.	°C (°F)					+4 to +30 (+39.2 to +86)
Ambient temperature, min-max.	°C (°F)					+4 to +40 (+39.2 to +104)
Ambient temperature during storage/transportation, min.–max.	°C (°F)					-20 to +40 (-4 to +104)
Bed volume	L (US gal)	0.70 (0.2)	1.5 (0.4)	2.00 (0.5)	3.10 (0.8)	6.50 (1.7)
Operation position						vertical/horizontal
Volume of flushing water	L (US gal)	2 (0.3)	3 (0.8)	5 (1.3)	9 (2.4)	15 (4)

⁽¹⁾ with a 1.5 m (59.06 inch) hose DN 8 fitted to both the intake and outlet. ⁽²⁾ Capacities may deviate by up to ±5% depending on the local water quality and volume flow. ⁽³⁾ Default blend setting = 1. For devices sensitive to limescale, blend setting = 0. This reduces the capacities stated by approx. 10%. ⁽⁴⁾ °dKH = Total hardness. ⁽⁵⁾ °dHf = French temporary hardness. Subject to change.



Limited Warranty, Liability and Certifications

BWT warrants to the original purchaser/consumer all equipment that it manufactures to be free from defects in material and workmanship for a period of 2 years from the date of purchase. This warranty is subject to exclusions and limitations. For complete warranty policy and statements, please see www.water-and-more.com. BWT does not assume any liability for damages or subsequent/secondary damages arising from:

- Failure to comply with the instructions in this installation and operating manual
- Improper use
- Improper or faulty installation;
- Improper commissioning, operation, maintenance;
- Use of non-certified, non-approved components
- Not performing the required service and exchange work;
- Unauthorized technical and mechanical changes or conversions



NOTE! We recommend to choose a size of cartridge, where the capacity requires replacement every six months, but no longer than 12 months.

The actual capacity may vary from the given values provided. Capacity is dependent on the overall water quality, flow rate, inlet water pressure and the continuity of the flow rate.

Do not use with water that is microbiologically unsafe or of unknown quality without adequate disinfection before or after the system.

Settings and capacities

The following tables show typical capacities and the recommended blending setting depending on the carbonate hardness (not the Total Hardness) of the water. All capacity and blending setting recommendations are given under consideration of the valid regulations and requirements, as well as, our experience in the field of water filtration and technology.

☕	ppm CaCO ₃	Total hardness in °dKH ⁽⁴⁾	French hardness in °dfH ⁽⁵⁾	Blend	Filter capacity ^(2,3) in litres (US gallons)				
					S	V	M	XL	2XL
Hot beverage preparation with steam generation	125	≤7	13	3	≥1070 (≥282)	≥2570 (≥678)	≥3855 (≥1018)	≥6140 (≥1622)	≥10000 (≥2641)
	142	8	14	3	935 (247)	2250 (594)	3375 (891)	5375 (1419)	8750 (2311)
	178	10	18	3	750 (198)	1800 (475)	2700 (713)	4300 (1135)	7000 (1849)
	214	12	21	2	565 (149)	1360 (359)	2040 (538)	3250 (858)	5290 (1397)
	249	14	25	2	485 (128)	1165 (307)	1750 (462)	2785 (735)	4535 (1198)
	303	17	30	1	355 (93)	860 (227)	1290 (340)	2060 (544)	3355 (886)
	356	20	36	1	305 (80)	730 (192)	1100 (290)	1750 (462)	2850 (752)
	409	23	41	1	265 (70)	635 (167)	955 (252)	1520 (401)	2480 (655)
	445	≥25	45	1	≤240 (≤63)	≤585 (≤154)	≤880 (≤232)	≤1400 (≤369)	≤2280 (≤602)

☕	ppm CaCO ₃	Total hardness in °dKH ⁽⁴⁾	French hardness in °dfH ⁽⁵⁾	Blend	Filter capacity ^(2,3) in litres (US gallons)				
					S	V	M	XL	2XL
Vending, without steam generation	125	≤7	13	3	≥1285 (≥339)	≥3085 (≥814)	≥4625 (≥1221)	≥7370 (≥1946)	≥12000 (≥3170)
	142	8	14	3	1125 (297)	2700 (713)	4050 (1069)	6450 (1703)	10500 (2773)
	178	10	18	3	900 (237)	2160 (570)	3240 (855)	5160 (1363)	8400 (2219)
	214	12	21	3	680 (179)	1630 (430)	2450 (647)	3900 (1030)	6350 (1677)
	249	14	25	3	580 (153)	1400 (369)	2100 (554)	3340 (882)	5440 (1437)
	303	17	30	3	430 (113)	1035 (273)	1550 (409)	2470 (652)	4025 (1063)
	356	20	36	3	365 (96)	880 (232)	1320 (348)	2100 (554)	3420 (903)
	409	23	41	3	315 (83)	765 (202)	1145 (302)	1825 (482)	2975 (785)
	445	≥25	45	2	≤290 (≤76)	≤700 (≤184)	≤1055 (≤278)	≤1680 (≤443)	≤2735 (≤722)

Chlorine Reduction

The bestmax water filter systems have been tested and certified by NSF International according to NSF/ANSI 42 for reduction of chlorine. The concentration of chlorine in water entering the system was reduced to a concentration less than or equal to the permissible limit for water leaving the system, as specified in NSF/ANSI 42. While testing was performed under standard laboratory conditions, actual performance of the system may vary.

BWT bestmax PREMIUM	S	V	XL	2XL
Reduction (influent challenge concentration 2.0 mg/l)	> 50 %			

Capacity based on Chlorine Reduction

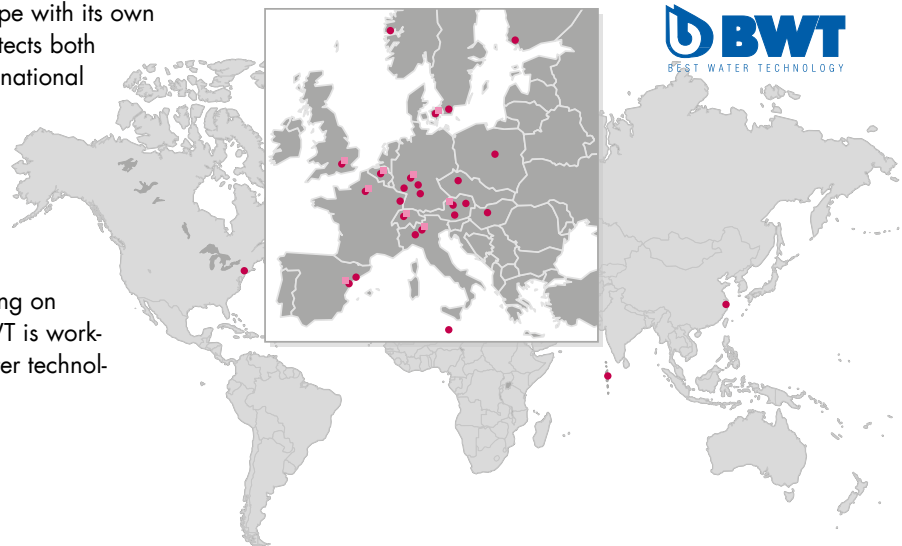
BWT bestmax PREMIUM		S	V	XL	2XL
Capacity based on Chlorine Reduction	liters (gallons)	2410 (637)	3170 (837)	20400 (5,390)	36000 (9,511)



Protection against	BWT besttaste	BWT bestmax	BWT bestprotect	BWT bestmax PREMIUM
Protection against particles	✓	✓	✓	✓
Chlorine	✓	✓	✓	✓
Lime scale protection	—	✓	✓	✓
Protection against gypsum	—	—	✓	✓
Magnesium	—	—	—	✓

BWT – the leading international water technology group

Today, the BWT Group is present all over Europe with its own subsidiaries and holdings. Technology that protects both the water and the environment, as well as international sustainability management with regard to customers, staff, the environment, market partners and society, are what the company sees as its role and responsibility. Water as the elixir of life and the rising standards for safety, hygiene and health in everyday life are unlocking very promising new tasks. Building on its strong position on the European market, BWT is working consistently to make its vision a reality: water technology for a better life!



www.bwt-steward-USA.com

www.bwt-wam.com

Manufacturer:

BWT water + more GmbH

Walter-Simmer-Str. 4 · A-5310 Mondsee

Telefon +43 6232 5011-1164

For any questions regarding general information, product brochures, order or accounting please give us a call at: 336 - 256 - 9991; or call us toll free at: 888 - 827 - 9559; you may also send us a fax to: 336 - 662 - 0764; or simply send us your email request to: info@stewardgrp.com
 For any sales or technical questions please contact Reiner Stanelle, Sales Director North America
 Mobile: 847 - 471 - 2281; Email: Reiner.Stanelle@bwt-group.com

